

# Soften the Blow

## Redco™ 9600 Split Impact Bearing Load & Impact Absorbing



The Redco™ 9600 Bearing is designed specifically for heavy duty, high impact applications. The unit consists of a tough, abrasion resistant urethane bearing (Redco™ 750 or 750XL), surrounded by a softer, more resilient shock absorbing urethane (Redco™ 70A - 1 15/16 & 2 13/16") (Redco™ 430 - all over sizes), and then encased in a durable fabricated steel housing. This unique design allows the bearing to withstand continuous shock loads while greatly reducing fatigue to the bearing housing and structural welds and mill supports.

### **Steel Housing:**

The housing is constructed of 3/8" hot rolled plate. Gusseted faceplates are then continuously welded to each side to eliminate end movement and increase the strength of the housing. The housing is supplied with a hot rolled base plate which, when used, makes the base to center height interchangeable with various bearing units.

### **Redco™ Bearing Inserts:**

Redco™ 750, Redco™ 750XL, and Tuffkast 010 are proven high quality bearing materials. They are more dimensionally stable than other plastic bearing materials and offer excellent chemical and corrosion resistance. They also offer unprecedented impact and vibration resistance while retaining impressive load bearing capacities (2500 - 3000 psi).

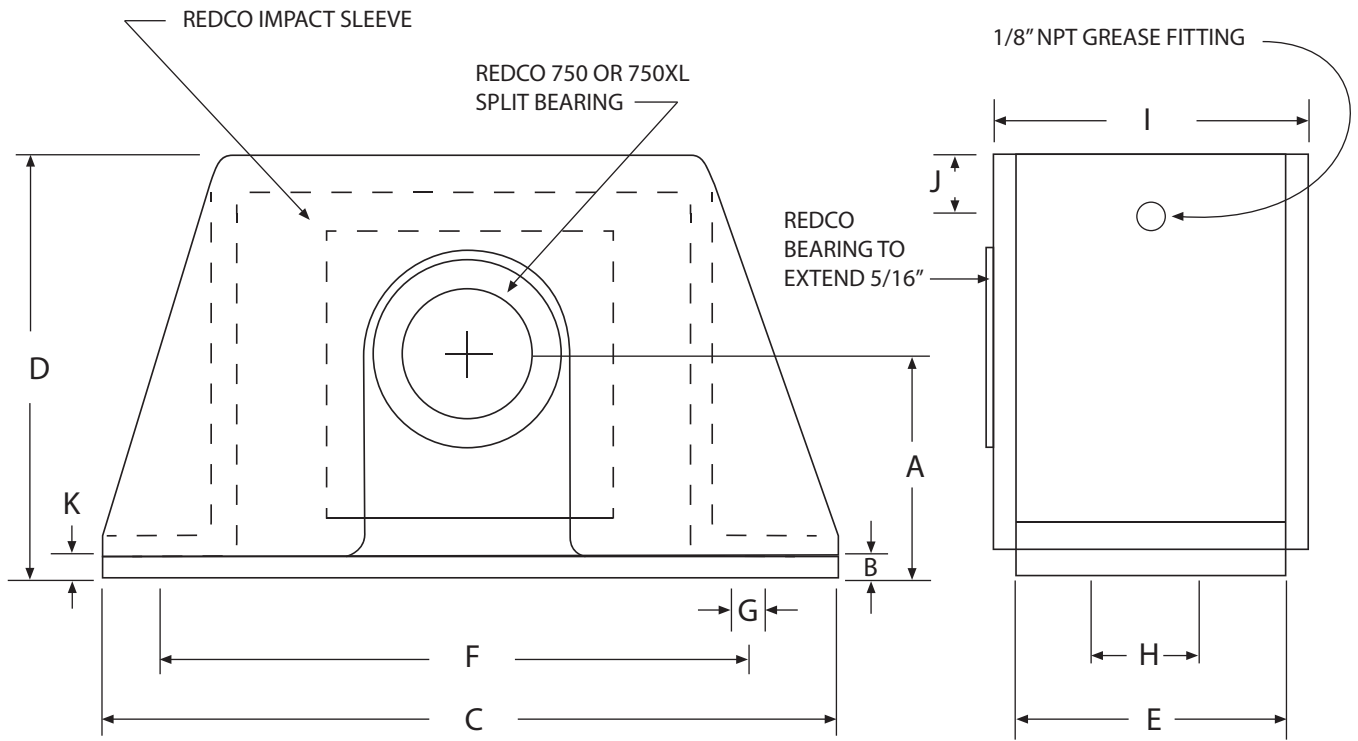
Redco™ 750 also has a very low coefficient of friction which greatly reduces lubrication maintenance time and the amount of lubrication required. Redco™ 750XL contains self-lubricating additives, which even further reduces the need for lubrication and helps to convey frictional heat away from the bearing surface. These qualities combined with polyurethane's excellent abrasion resistance and environmental properties (-80F +210F), make Redco™ 750 & 750XL ideally suited for high impact bearing applications. Redco™ Tuffkast 010 is ideal for applications with heavier loads where more impact absorption is required.

- Impact Absorbing
- Vibration Isolation
- Steel Housing Encasing
- Interchangeable Components
- Self Lubricated Insert
- Bolts to Log Deck
- Outlasts Traditional Materials

### **APPLICATIONS:**

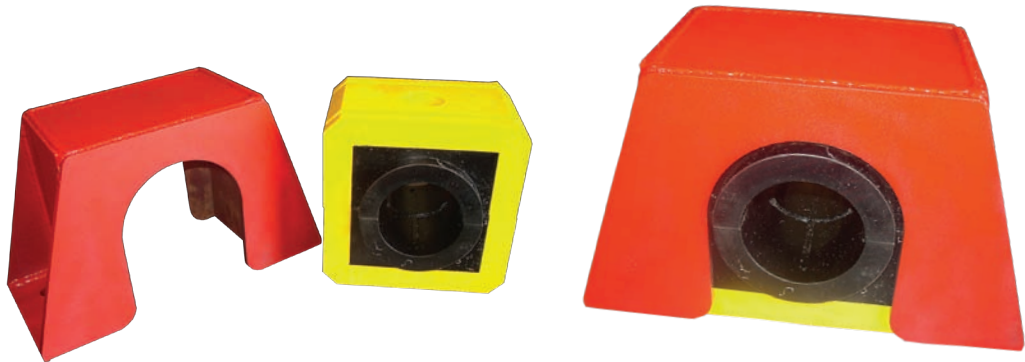
- Roll Case Bearings
- Hourglass Roll Bearings
- Impact Line Shaft Bearing
- Log Kicker Bearings
- Barker Press Roll Support Bearings
- Shock Isolation Bearings
- Tail Drum Bearings





SIZE	A	B	C	D	E	F	G	H	I	J	K	WEIGHT (lbs)
1 15/16"	2.756"	3/4"	10 1/16"	5.50"	3"	7.87"	9/16"	1.38"	3 3/4"	1 1/4"	3/8"	17
2 3/16"	3.150"	3/4"	10 7/8"	6.30"	3 1/2"	8.66"	9/16"	1.57"	4 1/4"	1 1/4"	3/8"	23
2 7/16"	3.150"	3/4"	11"	6.30"	4"	8.66"	9/16"	1.57"	4 3/4"	1 1/4"	3/8"	26
2 15/16"	3.740"	3/4"	12 5/8"	7.50"	4"	9.84"	9/16"	1.97"	4 3/4"	1 1/4"	3/8"	34
3 7/16"	4.409"	3/4"	15"	8.82"	5 9/16"	11.81"	11/16"	2.36"	6 3/16"	1 1/4"	3/8"	55
3 15/16"	4.921"	3/4"	16 1/8"	9.84"	6 1/8"	12.60"	7/8"	2.76"	6 7/8"	1 1/4"	3/8"	72

NOTE: If required, we can supply bolt holes & bolt centers to your specifications.



ASK  
AN  
EXPERT

[www.redwoodplastics.com](http://www.redwoodplastics.com)  
 CDN 1 800 667 0999 USA 1 866 733 2684  
[sales@redwoodplastics.com](mailto:sales@redwoodplastics.com)



**REDWOOD  
PLASTICS**  
 INNOVATIVE SOLUTIONS IN PLASTIC

More than Sheet, Rod & Tube

