

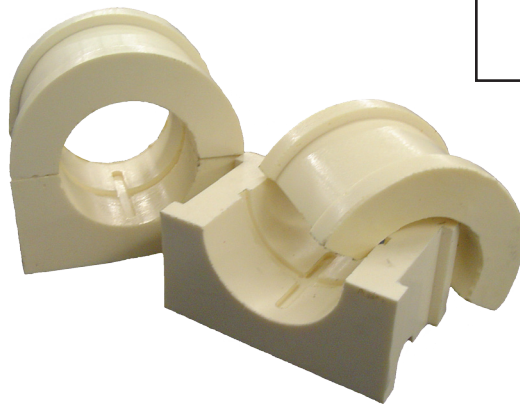
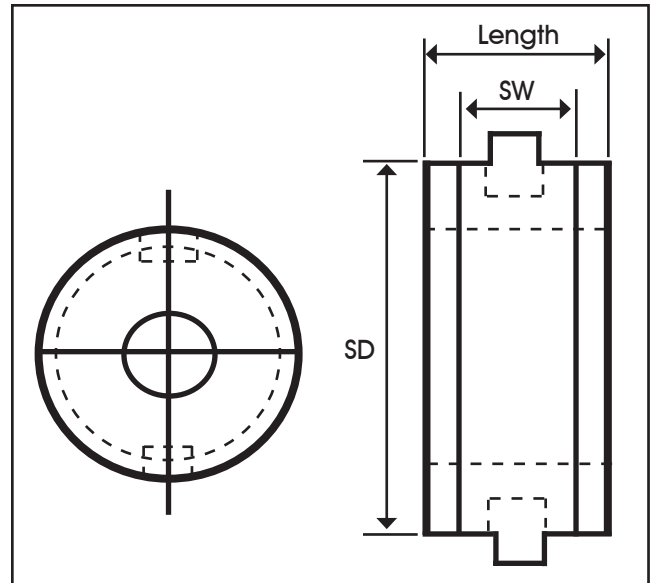
Redco™ HANGER BEARINGS

Redco™ HANGER BEARINGS

Redco™ Hanger Bearings are available in various grades of Redco™ UHMW, Redco™ Nylon, Redco™ Teflons and Redco™ Polyurethane.

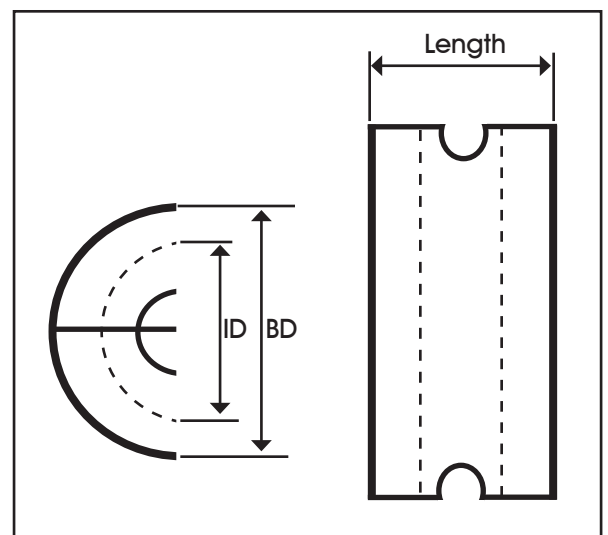
Hanger Styles 20B, 26B, 28B, 220, 226, 326

ID	SD	SW	Length
1"	1-1/2"	1-1/16"	1-7/16"
1-1/4"	2-1/8"	1-9/16"	1-15/16"
1-1/2"	2-1/8"	1-9/16"	1-15/16"
2"	2-3/4"	1-9/16"	1-15/16"
2-7/16"	3-1/4"	2-3/8"	2-15/16"
3"	4"	2-3/8"	2-15/16"
3-7/16"	4-3/4"	3-1/8"	3-15/16"
3-15/16"	5-1/4"	3-1/8"	3-15/16"
4-7/16"	5-13/16"	4-1/4"	4-15/16"



Hanger Styles 20B, 26B, 28B, 220, 226, 326

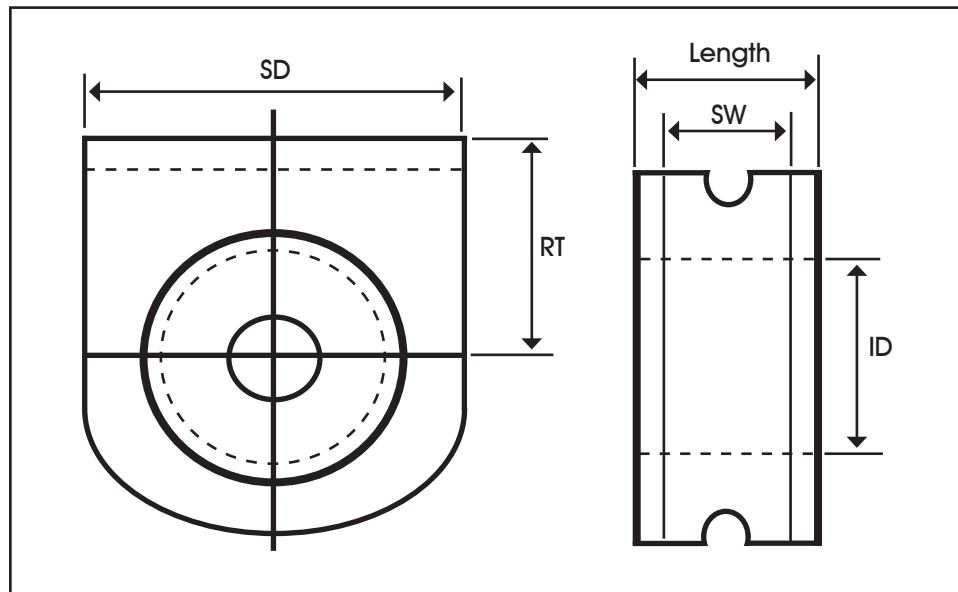
ID	BD	Length
1"	1-1/2"	1-7/16"
1-1/2" (6" trough)	2"	1-15/16"
1-1/2" (9" trough)	2-3/8"	1-15/16"
2"	3"	1-15/16"
2-7/16"	3-11/16"	2-15/16"
3"	4-1/8"	2-15/16"
3-7/16"	4-11/16"	3-15/16"



Redco™ HANGER BEARINGS

Hanger Styles 16B, 216, 216F, 230, 316

ID	SD	SW	RT	Length
1"	1-9/16"	1-1/8"	1"	1-7/16"
1-1/2"	2-1/4"	1-3/8"	1-3/8"	1-15/16"
2"	3-14/16"	1-5/8"	1-5/8"	1-15/16"
2-7/16"	4"	1-5/8"	2-1/8"	2-15/16"
3"	4-1/2"	2-1/8"	2-1/4"	2-15/16"
3-7/16"	4-7/8"	2-11/16"	2-7/16"	3-15/16"
3-15/16"	5-3/8"	3"	2-11/16"	3-15/16"
4-7/16"	6-3/16"	4-1/4"	3-1/4"	4-15/16"



Hanger Styles 200A, 300A

ID	OD	Length
1-1/2"	2"	1-5/16"
2"	2-1/2"	1-15/16"
2-7/16"	2-15/16"	2-15/16"
3"	3-1/2"	2-15/16"
3-7/16"	4-1/8"	3-15/16"

