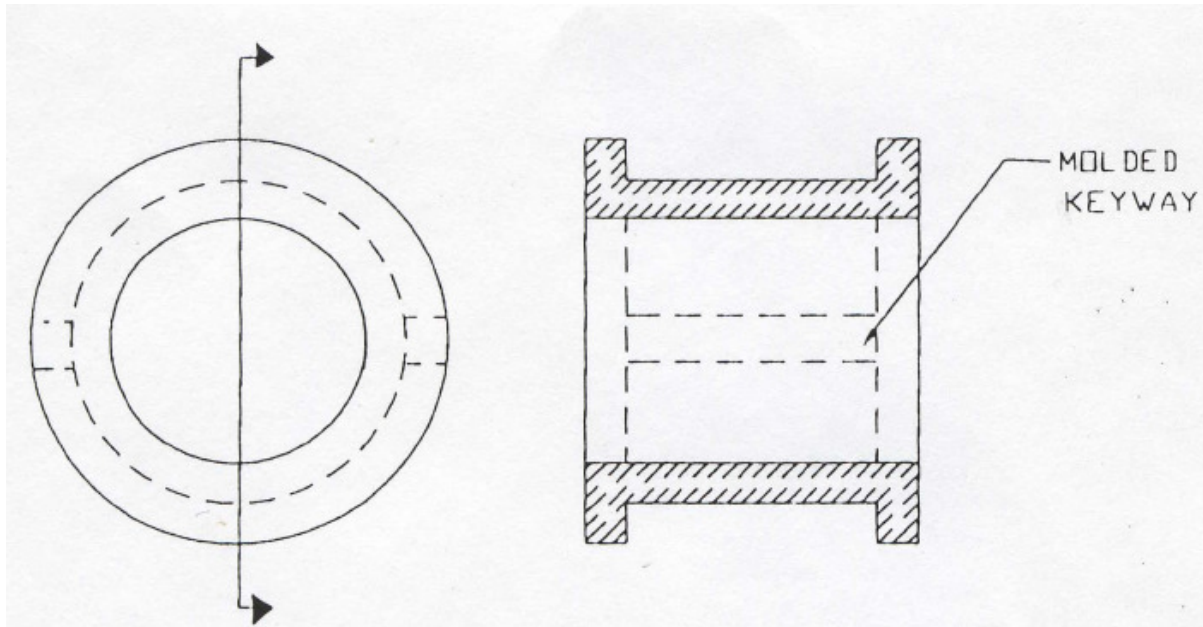


**REDWOOD
PLASTICS**
CORPORATION

Innovative Solutions in Plastic

Redco 750XL Split Hanger Bearings



- ✓ Standard sizing to suite existing screw conveyor housings.
- ✓ Outlast standard UHMW and Hardwood Hanger bearings.
- ✓ Molded Keyway means less components and easier installation.

Shaft Size	Part No.
1-1/2"	R-13076XL
2"	R-10377XL
2-7/16"	R-14427XL
3"	R-2709XL
3-7/16"	R-14671XL